

# LBD8353/10 6W Ceiling Speaker

www.boschsecurity.com



**BOSCH**

Invented for life

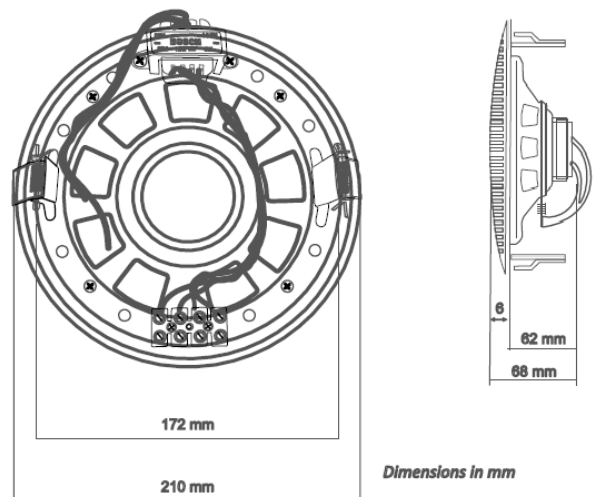


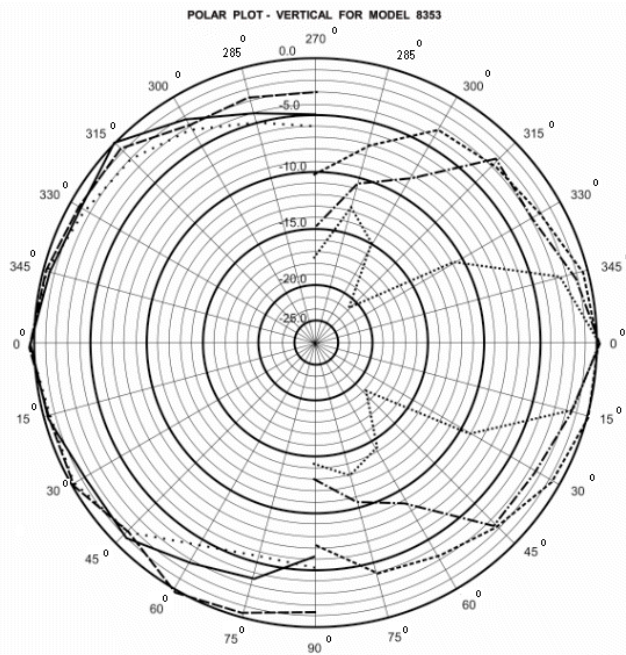
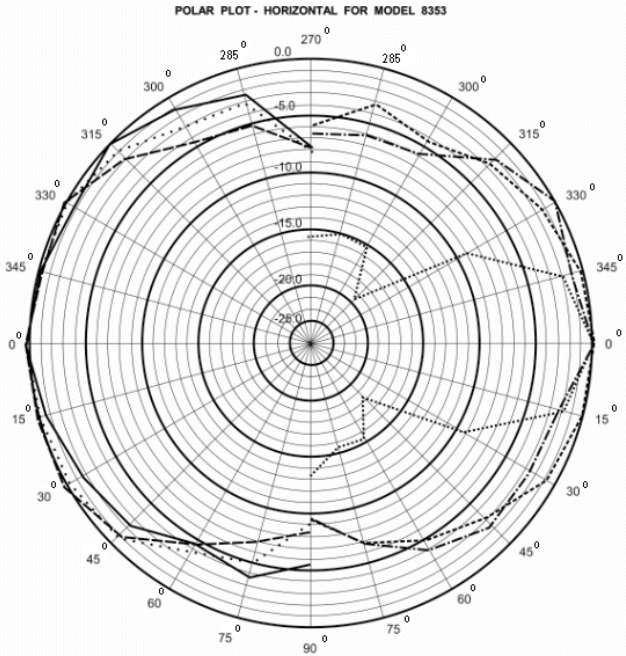
- ▶ Suitable for speech and music reproduction.
- ▶ Flush-mounting in ceiling cavity.
- ▶ Easy to install.
- ▶ Simple power setting.
- ▶ Unobtrusive in virtually all interiors.

The LBD8353/10 is a general purpose speaker cost-effective 6 W ceiling loudspeaker, suitable for 100 V connection with power tapping of: 6, 3 and 1.5 Watt. It is a full range loudspeaker for speech and music reproduction in shops, department stores, schools, offices, sports halls, hotels and restaurants.

## System overview

The LBD8353/10 has a single-piece, 6 W loudspeaker. A 100 V matching transformer is mounted behind the front panel assembly. The moulded plastic front panel is mounted onto the loudspeaker's frame, and a dust cover protects the rear. The appearance and colour are unobtrusive in any interior. The loudspeaker can be easily mounted into the ceiling using the lockable springs in-built into the loudspeaker

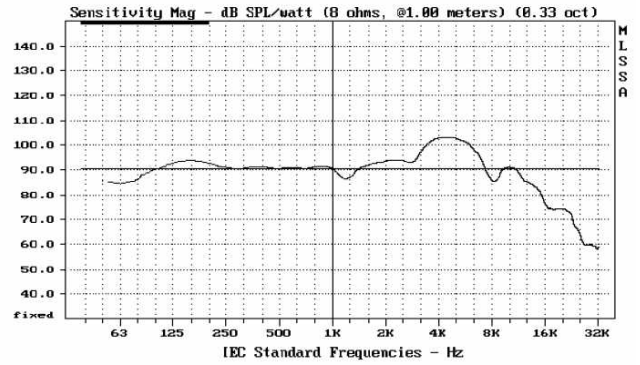




Acoustical performance Specified per Octave

	250 Hz	500 Hz	1000 Hz	2000 Hz	4000 Hz	8000 Hz
SPL1.1	90.5	90.8	89.1	92.8	102.9	86.0
SPL Max	99.5	99.8	98.1	101.8	111.9	95.0
Q Factor	3.9	5.0	6.3	7.1	17.6	12.4

Efficiency (in %)	0.7	0.8	0.5	1.2	12.3	0.3
H. Angle	160	150	170	160	40	150
V. Angle	180	180	180	155	45	110



### Parts included

Quantity	Components
1	LBD8353/10 Ceiling Loudspeaker

### Technical specifications

#### Electrical

Maximum Power	8W
Rated Power	6W
Sound Pressure level at 6 W / 1 W (1 KHz at 1m)	98.1 dB / 89.1 dB (SPL)
Effective frequency range (-10 dB)	100 Hz - 8 KHz
Opening Angle at 1 KHz / 4 KHz (-6 dB)	180° / 45°
Rated Voltage	100 V
Rated impedance	1667 ohm

#### Mechanics

Diameter	210 mm
Maximum depth	68 mm
Weight	700 g

#### Environmental

Operating temperature	-25 °C to +55 °C
Storage temperature	-40 °C to +70 °C

**Ordering information**

**LBD8353/10 6W Ceiling Speaker**

Order number **LBD8353/10**

---

**Represented by:**

© Bosch Security Systems 2012 | Data subject to change without notice  
10486845067 | en, V3, 17. Dec 2012